

5" Two Way Wall Mount Speaker (3.75W/7.5W/15W/30W) FWS-530W

Feature:

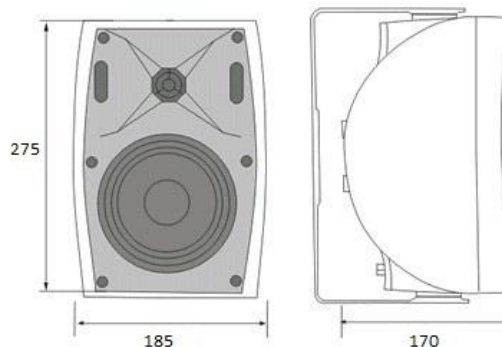
- ✓ Commercial PA system wall mount speaker with transformer
- ✓ Ideal for school, office, hotel and airport background music system
- ✓ Economy rang fashion wall mount cabinet loudspeaker
- ✓ Rated power output 3.75W/7.5W/15W/30W at 100V
- ✓ 5" woofer and 1.5" tweeter two way speaker units
- ✓ Line input 100V,70V and 8OHMS
- ✓ ABS enclosure, metal grille in black
- ✓ Quick installation by supplied stainless mounting bracket



Specification:

Model	FWS-530W
Description	5" Two Way Wall Mount Speaker
Rated Power Output	3.75W/7.5W/15W/30W
Line Input	100V ,70V&8ohms
Frequency Response	100-20KHz
SPL(@1W/m)	89dB
Speaker Unit	5" woofer and 1.5" tweeter two way speaker units
Dimension	275 (W)×185(D)×170(H)mm
Material	ABS enclosure and metal grille in black
Mounting Way	Quick installation by supplied Metal mounting bracket
Weight	3.1kg

Side View & Dimensions:



Frequency Response VS SPL Diagram:

